

## Series WGVOSY-1

### OSY Flanged Gate Valve - Rising Spindle

Size: DN100-150

The OSY Flanged Watermarked Gate Valve is used in areas where watermark certification is required.

#### Pressure-Temperature

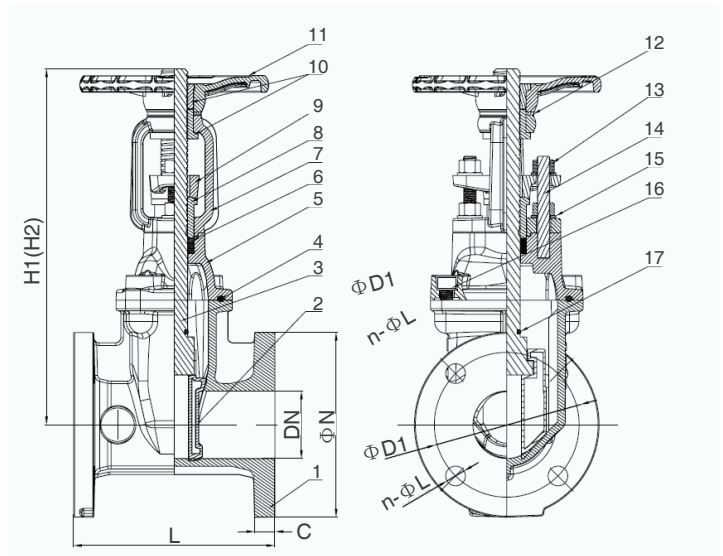
- Working Pressure: 300 PSI
- Temperature range: 0°C - 80°C
- Connections: Available in Table E
- Coating: Fusion Bonded Epoxy Coating

#### Features

NO.	Component	Materiala
1	Valve Body	Cast Iron
2	Resilient Wedge Disk	Cast Iron
3	Stem: Stainless Steel	Stainless Steel
4	Bonnet Gasket	EPDM
5	Bonnet	Cast Iron
6	Stem Packing	EPDM
7	Yoke	Cast Iron
8	Stem Bushing	Brass Hpb59-1
9	Gland	Cast Iron
10	Stem Nut	Brass Hpb59-1
11	Handwheel	Cast Iron
12	Washer	Brass Hpb59-1
13	Gland Nut	Carbon Steel Zinc Plated
14	Stud	Carbon Steel Zinc Plated
15	Flat Washer	Carbon Steel Zinc Plated
16	Nut	Carbon Steel Zinc Plated
17	O-Ring	EPDM



Approval



#### Installation Dimensions

Code	mm	Dimensions						
		L	H1(Close)	H2(open)	D	D1	C	n-ΦL
GV100RSC	100	229	471	573	229	190.5	19.1	4-Φ19.1
GV150RSC	150	267	601	755	279	241.3	19.1	4-Φ22.2