

Stainless Steel Double Check Valve

Series: 007-SS-L

Size: DN65-DN150

The series 007-SS-L Silver Stallion Double Check Valves are designed to prevent the reverse flow of polluted water from entering the potable water supply. These models can be applied, where approved by the local authority, for cross connection control in Medium and Low Hazard installations.

Series 007-SS-L feature short end-to-end dimensions, light weight stainless steel body, and low head loss.



KEY FEATURES

- Easy Two Person Install: Short lay length and lightweight construction
- Easy servicing: No special tools, large access cover, easy to remove checks with serviceable parts
- Low Head Loss: Patented Dual Action™ check valves provide reliable sealing and high flow
- Built to last: PREN18 Stainless Steel, PN16 rating and extra strength flanges
- Smart and Connected: BMS Flood Sensor Compatible
- Available in DN65-150 RPZ, DCV and DDC versions

PRODUCT CODES

007-SS-065-TE	65mm DCV Device Only Table E
007-SS-080-TE	80mm DCV Device Only Table E
007-SS-100-TE	100mm DCV Device Only Table E
007-SS-100-TD	100mm DCV Device Only Table D
007-SS-150-TE	150mm DCV Device Only Table E
007-SS-150-TD	150mm DCV Device Only Table D

CERTIFICATE



TECHNICAL DATA

Minimum Operating Temperature	0.5°C
Maximum Operating Temperature	60°C
Maximum Working Pressure	1600kPa
Design Standard	AS/NZS 2845.1
Connection Standard	AS2129 Table E Flange
Body Material	304 Stainless Steel

Test Cock Material	304 Stainless Steel
Check Seat Material	Noryl Polymer
Check Disks Material	Silicone
Check Spacer Material	304 Stainless Steel
Spring Material	304 Stainless Steel
Cover Material	304 Stainless Steel
Cover Bolt Material	304 Stainless Steel
O-rings Material	Buna-N

TYPICAL INSTALLATION

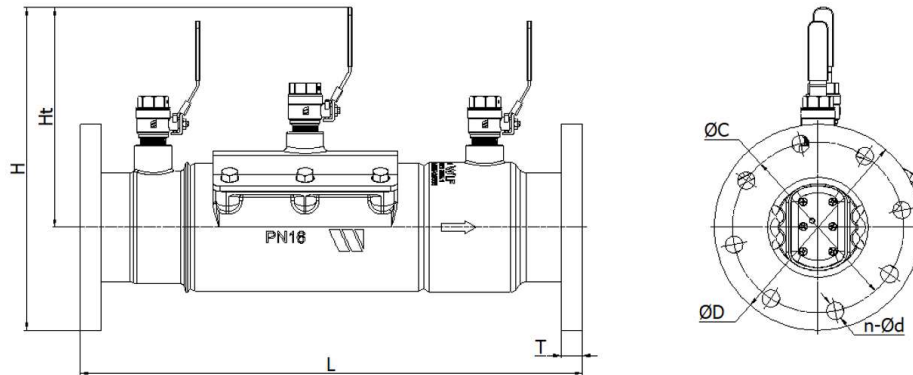
You are required to thoroughly read all installation instructions and product safety information before beginning the installation of this product. Inquire with governing authorities for local installation requirements

Stainless Steel Double Check Valve

Series: 007-SS-L

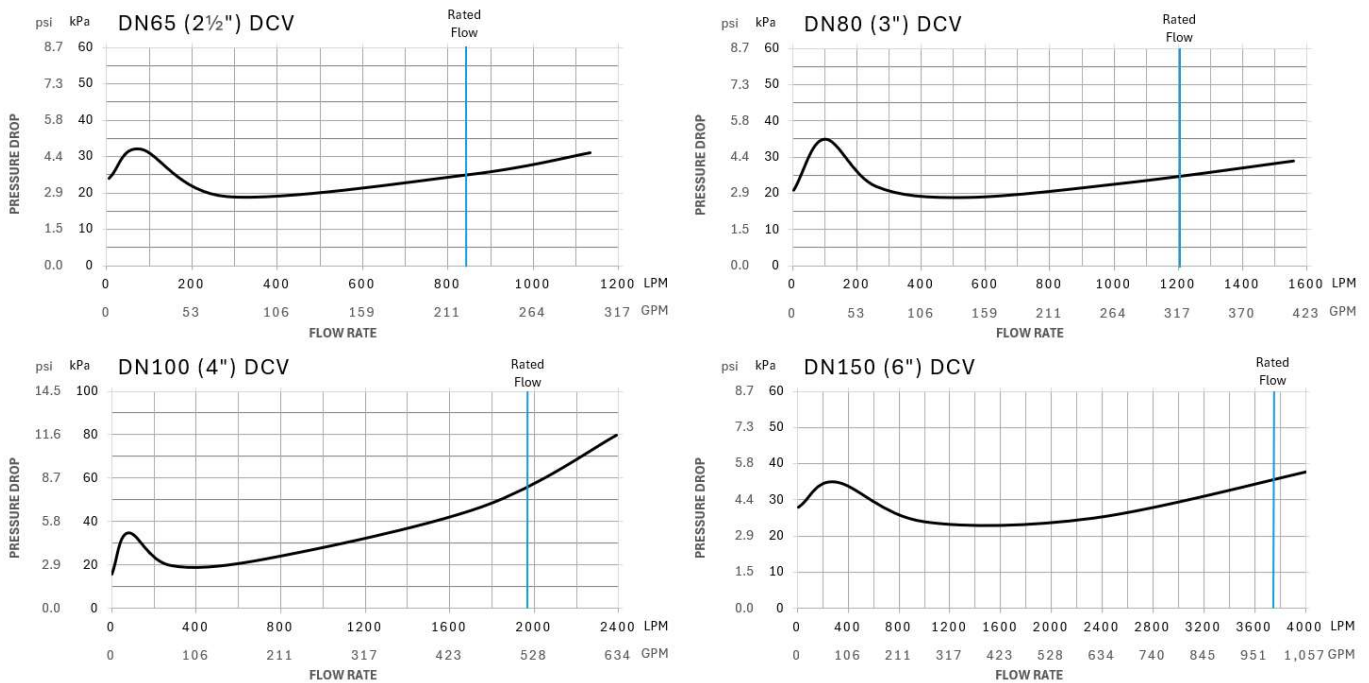
Size: DN65-DN150

DIMENSION DATA



Size	Ht		H		L		ØD		ØC		n-Ød		T		Weight	
	in	mm	in	mm	in	mm	in	mm	in	mm	in	mm	in	mm	lb	kg
DN65 (2 1/2")	9.7	246	12.9	328.5	21.11	536.1	6.5	165	5	127	4-0.71	4-18	0.75	19	49.5	22.5
DN80 (3")	9.7	246	13.3	338.5	21.11	536.1	7.28	185	5.75	146	4-0.71	4-18	0.75	19	50.6	23
DN100 (4")	9.7	246	13.9	353.5	20.5	522.1	8.46	215	7.01	178	4-0.71	8-18	0.87	22	54.56	24.8
DN150 (6")	10.9	276	16.4	416	22.84	580.2	11.02	280	9.25	235	8-0.87	8-22	0.79	20	88.66	40.3

CHARACTERISTIC CURVES



Note: Rated flow tested per AS 2845.1.

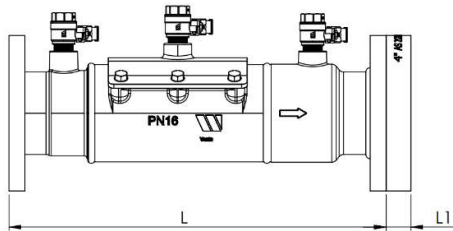
Stainless Steel Double Check Valve

Series: 007-SS-L

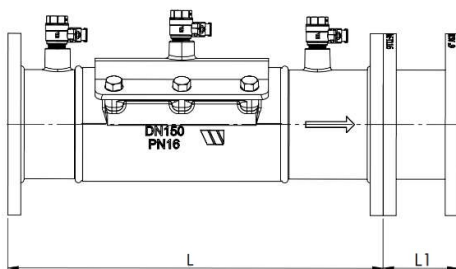
Size: DN65-DN150

OPTIONAL ACCESSORIES - SPACER PLATE

The 007-SS-L series can be fitted with a spacer plate to match the length of the AMES 2000SS valves to make it easy for replacement installations. Available in sizes from DN65-150 in Table D and Table E flange types.



DN65-100



DN150

PRODUCT CODES

007-009-SS-65-SPCR	65mm DCV-RPZ-SPACER PLATE TE-D to suit AMES 2000/4000 replacement
007-009-SS-80-SPCR	80mm DCV-RPZ-SPACER PLATE TE-D to suit AMES 2000/4000 replacement
007-009-SS-100-SPCR-TE	100mm DCV-RPZ-SPACER PLATE TE to suit AMES 2000/4000 replacement
007-009-SS-100-SPCR-TD	100mm DCV-RPZ-SPACER PLATE TD to suit AMES 2000/4000 replacement
007-009-SS-150-SPCR-TE	150mm DCV-RPZ-SPACER PLATE TE to suit AMES 2000/4000 replacement
007-009-SS-150-SPCR-TD	150mm DCV-RPZ-SPACER PLATE TD to suit AMES 2000/4000 replacement

DIMENSION DATA

Size	L		L1	
	in	mm	in	mm
DN65 (2 1/2")	21.1	536	8.1	20.5
DN80 (3")	21.1	536	8.1	20.5
DN100 (4")	20.5	522	13.6	34.5
DN150 (6")	22.8	580	45.7	116

Every care has been taken in the preparation of these instructions, which have been issued as a guide only. Compliance with the requirements of local Authorities is required at all times. These requirements may change from time to time. Always be aware of the local requirements. Subject to any statutory obligations and manufacturers warranties no liability can be accepted for any losses, consequential or otherwise which may arise or be said to have arisen from relying upon the contents of this information as to the fitness of any particular product for any particular purpose, use or application. Watts Australia Pty Ltd reserves the right to modify designs and specifications and to withdraw and introduce products at any time without notice.