

Stainless Steel Double Check Detector Assembly

Series: 007-SS-DDC

Size: DN65-DN150

The series 007-SS-DDC Silver Stallion Double Check Detector Assemblies are designed to prevent the reverse flow of polluted water from entering the potable water supply. These models can be applied, where approved by the local authority, for cross connection control in Medium and Low Hazard installations.

Series 007-SS-DDC feature short end-to-end dimensions, light weight stainless steel body, and low head loss.

KEY FEATURES

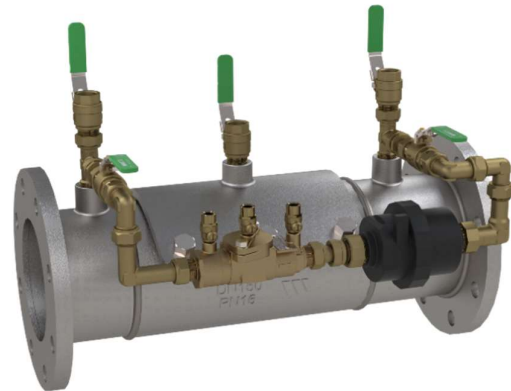
- Easy Two Person Install: Short lay length and lightweight construction
- Easy servicing: No special tools, large access cover, easy to remove checks with serviceable parts
- Low Head Loss: Patented Dual Action™ check valves provide reliable sealing and high flow
- Built to last: PREN18 Stainless Steel, PN16 rating and extra strength flanges
- Smart and Connected: BMS Flood Sensor Compatible
- Available in DN65-150 RPZ, DCV and DDC versions
- Suitable for horizontal installation or vertical “flow-up” installation

CERTIFICATE



TECHNICAL DATA

Minimum Operating Temperature	0.5°C
Maximum Operating Temperature	60°C
Maximum Working Pressure	1600kPa
Design Standard	AS/NZS 2845.1
Connection Standard	AS2129 Table E Flange
Body Material	304 Stainless Steel
Test Cock Material	Brass C46500



PRODUCT CODES

007-SS-DDC-065-20-WM	65mm DDC c/w 20mm Bypass With Meter
007-SS-DDC-065-20-NM	65mm DDC c/w 20mm Bypass Less Meter
007-SS-DDC-080-20-WM	80mm DDC c/w 20mm Bypass With Meter
007-SS-DDC-080-20-NM	80mm DDC c/w 20mm Bypass Less Meter
007-SS-DDC-100-20-WM	100mm DDC c/w 20mm Bypass With Meter
007-SS-DDC-100-20-NM	100mm DDC c/w 20mm Bypass Less Meter
007-SS-DDC-150-20-WM	150mm DDC c/w 20mm Bypass With Meter
007-SS-DDC-150-20-NM	150mm DDC c/w 20mm Bypass Less Meter

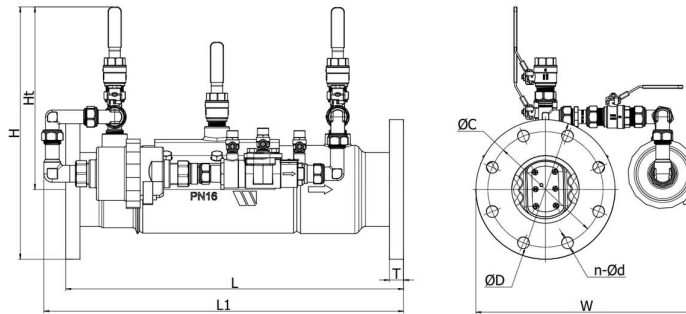
Check Seat Material	Noryl Polymer
Check Disks Material	Silicone
Check Spacer Material	304 Stainless Steel
Spring Material	304 Stainless Steel
Cover Material	304 Stainless Steel
Cover Bolt Material	304 Stainless Steel
O-rings Material	Buna-N
By pass	Brass CW511L
Water meter	Plastic

Stainless Steel Double Check Detector Assembly

Series: 007-SS-DDC

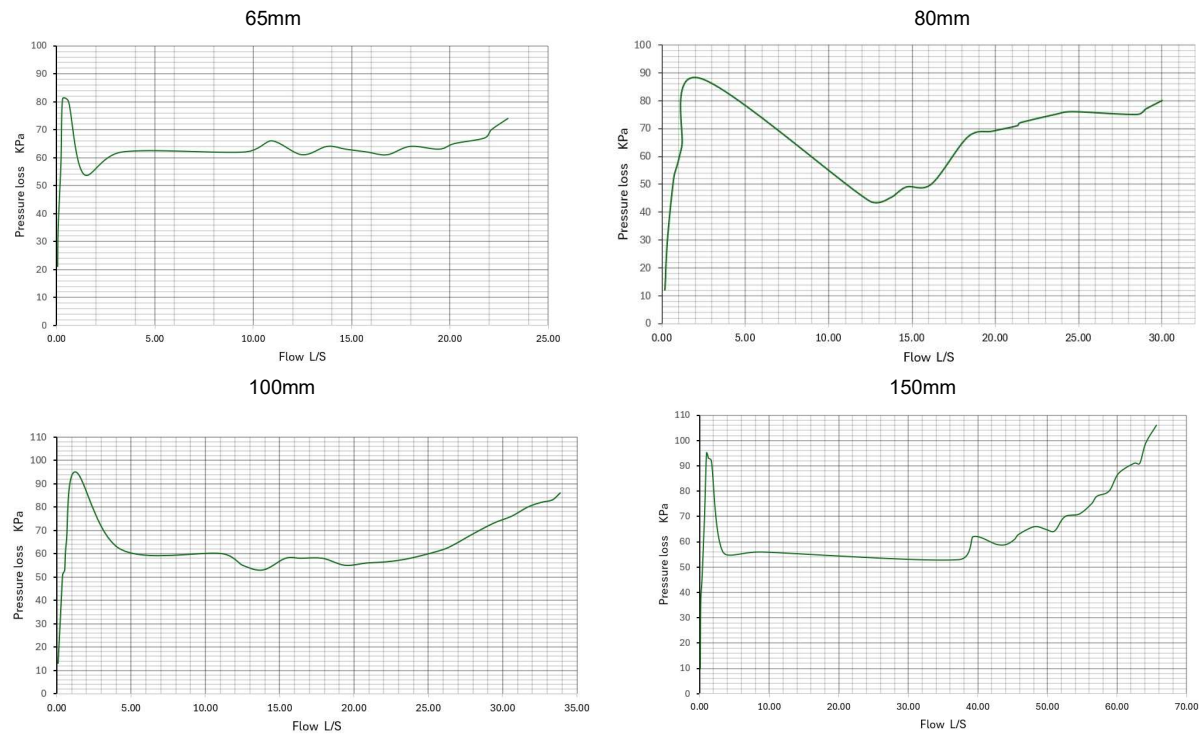
Size: DN65-DN150

DIMENSION DATA



Size	Ht		H		L		L1		ØD		ØC		n-Ød		W		T		Weight	
	in	mm	in	mm	in	mm	in	mm	in	mm	in	mm	in	mm	in	mm	in	mm	lb	kg
DN65 (2 1/2")	11.1	281	143.7	365	21	536	21.9	557	6.5	165	5.0	127	4-0.71	4-18	13.3	338	0.8	19	60.9	28
DN80 (3")	11.1	282	147.4	375	21	536	22.0	558	7.3	185	5.8	146	4-0.71	4-18	13.4	340	0.8	19	62.0	28
DN100 (4")	11.1	283	153.5	390	21	522	22.0	560	8.5	215	7.0	178	4-0.71	8-18	13.6	345	0.9	22	66.0	30
DN150 (6")	12.3	313	178.3	453	23	580	23.2	590	11	280	9.3	235	8-0.87	8-22	14.9	378	0.8	20	100.1	45

CHARACTERISTIC CURVES



TYPICAL INSTALLATION

You are required to thoroughly read all installation instructions and product safety information before beginning the installation of this product. Inquire with governing authorities for local installation requirements

Every care has been taken in the preparation of these instructions, which have been issued as a guide only. Compliance with the requirements of local Authorities is required at all times. These requirements may change from time to time. Always be aware of the local requirements. Subject to any statutory obligations and manufacturers warranties no liability can be accepted for any losses, consequential or otherwise which may arise or be said to have arisen from relying upon the contents of this information as to the fitness of any particular product for any particular purpose, use or application. Watts Australia Pty Ltd reserves the right to modify designs and specifications and to withdraw and introduce products at any time without notice.